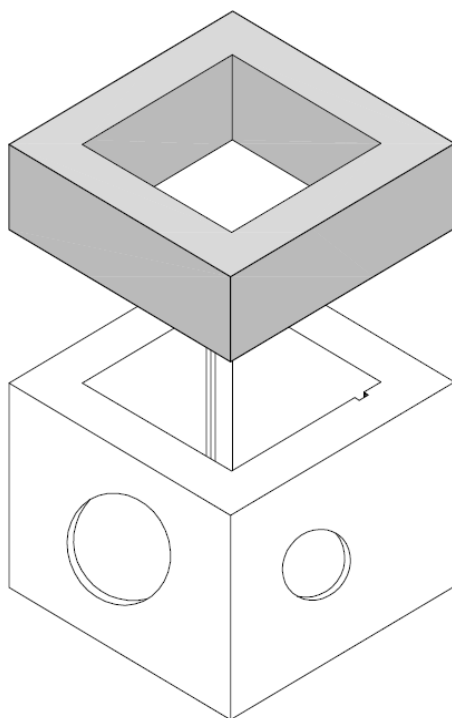


*Prolunghe in cemento per pozzetti normali tipo pesante*



<b>CODICE</b>	<b>MISURE INTERNE Cm</b>	<b>SPESSORE</b>	<b>PESO Kg.</b>	<b>PEZZI PACCO</b>
234004010P	40 x 40 x 10	Cm. 7,00	35	---
234004025P	40 x 40 x 25	Cm. 7,00	65	---
234004048P	40 x 40 x 48	Cm. 7,00	166	---
234005010P	50 x 50 x 10	Cm. 8,00	50	---
234005025P	50 x 50 x 25	Cm. 8,00	105	---
234005057P	50 x 50 x 57	Cm. 8,00	237	---
234006010P	60 x 60 x 10	Cm. 8,00	60	---
234006025P	60 x 60 x 25	Cm. 8,00	95	---
234006070P	60 x 60 x 70	Cm. 8,00	325	---